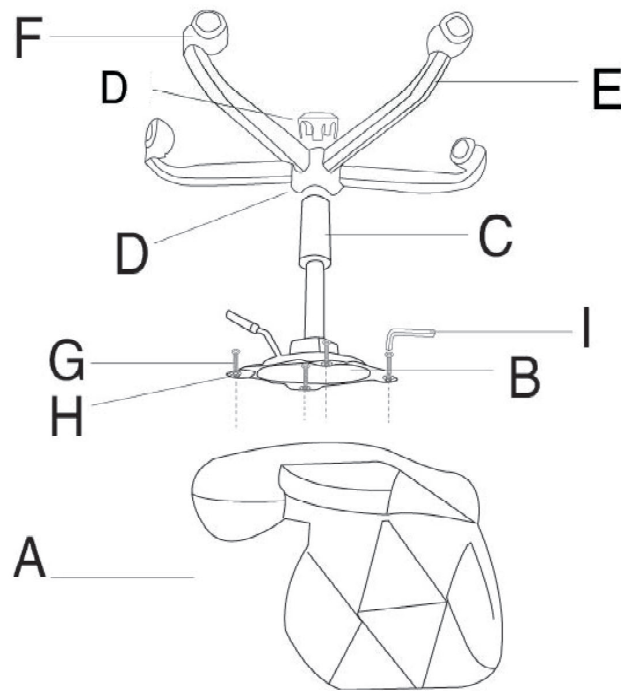


DARY26

1



2



A	B	C	D	E	F	G	H	I
X1	X1	X1	X2	X1	X5	X4	X4	X1

